

3" PMV Oil Pumps



MODEL NO.	DESCRIPTION
5:1 — 3" MODELS	
V406000000	Bare Pump
V40600SSU	Stub/Universal Pump
V406000000	Bare Pump
K40600SSU	Stub/Universal Kit
85824	Bung Bushing
5874/5875	Air Coupler/Nipple
72024A	3/8" x 2" Air Hose
73024	1/2" x 2" Fluid Hose
241584	90° Swivel
V305055BB	55-Gallon Pump
V305000000	Bare Pump
K000055BB	Stub/Universal Kit
85824	Bung Bushing
5874/5875	Air Coupler/Nipple
273299	3/8" x 5' Air Hose
73060	1/2" x 5' Fluid Hose
85807	Down Tube
241584	90° Swivel
V305016DC	16-Gallon Pump
V305000000	Bare Pump
K000016DC	Drum Cover Kit
85826	Drum Cover
85824	Bung Bushing
5874/5875	Air Coupler/Nipple
273299	3/8" x 2" Air Hose
73060	1/2" x 5' Fluid Hose
85806	Suction Tube
V305275BB	275-Gallon Pump
V305000000	Bare Pump
K000275BB	275-Gallon Pump Mount Kit
85824	Bung Bushing
5874/5875	Air Coupler/Nipple
273299	3/8" x 5' Air Hose
73060	1/2" x 5' Fluid Hose
85949	Universal Suction Tube
V30500SWM	Wall Mount Pump
V305000000	Bare Pump
84945	Remote Suction Kit
275398	Wall Mount Kit
5874/5875	Air Coupler/Nipple
273299	3/8" x 5' Air Hose
73060	1/2" x 5' Fluid Hose
241584	90° Swivel
275413	Wall Mount Assembly
V305055LT	55-Gallon Lube Truck Pump
V305000000	Bare Pump
K000055LT	Drum Cover and Hose Kit
83115	400-lb. Drum Cover with Tie Rods
85807	85807
273299	3/8" x 5' Air Hose
73060	1/2" x 5' Fluid Hose
241584	90° Swivel
275413	Wall Mount Assembly
V410055LT	55-Gal. Lube Truck Pump with Drum Cover
V410000000	Bare Pump
K000055LT	Drum Cover and Hose Kit
83115	400-lb. Drum Cover with Tie Rods
85807	Down Tube
275415	Lifting Eye
5874/5875	Air Coupler/Nipple
273299	3/8" x 5' Air Hose

4.25" PMV Oil Pumps



MODEL NO.	DESCRIPTION
6:1 — 4.25" Models	
V406000000	Bare Pump
V40600SSU	Stub Pump
V406000000	Bare Pump
K40600SSU	6:1 Stub Kit
5874/5875	Air Coupler/Nipple
72024A	3/8" x 2' Air Hose
73024	1/2" x 2' Fluid Hose
241584	90° Swivel
V40600SWM	Wall Mount Pump
V406000000	Bare Pump
84945	Remote Suction Kit
275398	Wall Mount Kit
5874/5875	Air Coupler/Nipple
273299	3/8" x 5' Air Hose
73060	1/2" x 5' Fluid Hose
241584	90° Swivel
275413	Wall Mount Assembly
10:1 — 4.25" Models	
V410000000	10:1 Bare Pump
V41000SSU	10:1 Stub/Universal Pump
V410000000	Bare Pump
K00000SSU	Stub/Universal Kit
85824	Bung Bushing
5874/5875	Air Coupler/Nipple
72024A	3/8" x 2' Air Hose
73024	1/2" x 2' Fluid Hose
241584	90° Swivel
V410055DC	55-Gallon Pump with Drum Cover
V410000000	Bare Pump
K000055DC	55-Gallon Drum Cover Kit
85827	Drum Cover
5874/5875	Air Coupler/Nipple
273299	3/8" x 5' Air Hose
73060	1/2" x 5' Fluid Hose
85807	Suction Tube
241584	90° Swivel
V410055BB	55-Gallon Pump with Bung Bushing
V410000000	Bare Pump
K000055BB	55-Gallon Bung Mount Kit
85824	Bung Bushing
5874/5875	Air Coupler/Nipple
273299	3/8" x 5' Air Hose
85807	Down Tube
241584	90° Swivel
V41000SWM	Wall Mount Pump
V410000000	Bare Pump
84945	Remote Suction Kit
275398	Wall Mount Kit
5874/5875	Air Coupler/Nipple
273299	3/8" x 5' Air Hose
73060	1/2" x 5' Fluid Hose
241584	90° Swivel
275413	Wall Mount Assembly
V410055LT	55-Gal. Lube Truck Pump with Drum Cover
V410000000	Bare Pump
K000055LT	Drum Cover and Hose Kit
83115	400-lb. Drum Cover with Tie Rods
85807	Down Tube
275415	Lifting Eye
5874/5875	Air Coupler/Nipple
273299	3/8" x 5' Air Hose
V410055LB	55-Gal. Lube Truck Pump with Bung Bushing
V410000000	Bare Pump
K000055LB	55-Gallon Lube Truck Kit with Bung Bushing
85824	Bung Bushing
83131	Tie Rod Kit
85807	Suction Tube
5874/5875	Air Coupler/Nipple
273299	3/8" x 5' Air Hose

**6:1 PUMPS FOR
STUB OR WALL
MOUNT ONLY.
NOT FOR USE WITH
BUNG BUSHINGS.**

PMV Pump Specifications

5:1 3" Oil Pumps

Pumping Ratio	5:1
Air Pressure	40-150 psi (2.7-10.3 bar)
Max. Output Pressure	750 psi (51 bar)
Air Inlet	3/8 NPTF
Material Outlet	1/2 NPTF
Material Inlet	1-1/2 NPTF
Airmotor Bore Dia.	3 in. (76.2 mm)
Stroke	3-1/4 in. (82.5 mm)
Output Per Cycle	6.7 cu. in. (110 cc)
Cycles/Gal (Liter)	34.5 (9.1)
Wetted Parts Polyurethane, Nitrile	Carbon Steel, Brass, Zinc,
Free Flow	7 gpm (26.5 lpm)
Overall Length (Stub)	17-3/8" (442 mm)

Decibels less than 85 at all normal operating conditions

10:1 4.25" Oil Pumps

Pumping Ratio	10:1
Air Pressure	40-150 psi (2.7-10.3 bar)
Max. Output Pressure	1500 psi (103 bar)
Air Inlet	3/8 NPTF
Material Outlet	1/2 NPTF
Material Inlet	1-1/2 NPTF
Airmotor Bore Dia.	4-1/4 in. (108 mm)
Stroke	3-1/4 in. (82.5 mm)
Output Per Cycle	7.2 cu. in. (118 cc)
Cycles/Gal (Liter)	32.1 (8.5)
Wetted Parts Polyurethane, Nitrile	Carbon Steel, Brass, Zinc,
Free Flow	5 gpm (18.4 lpm)
Overall Length	17-7/16" (443 mm)

Decibels less than 85 at all normal operating conditions

6:1 4.25" Oil Pumps

Pumping Ratio	6:1
Air Pressure	40-150 psi (2.7 -10.3 bar)
Max. Output Pressure	900 psi (62 bar)
Air Inlet	3/8 NPTF
Material Outlet	1/2 NPTF
Material Inlet	1-1/2 NPTF
Airmotor Bore Dia.	4-1/4 in. (108 mm)
Stroke	3-1/4 in. (82.5 mm)
Output Per Cycle	11.9 cu. in. (195 cc)
Cycles/Gal (Liter)	19.4 (5.1)
Wetted Parts Polyurethane, Nitrile	Carbon Steel, Brass, Zinc,
Free Flow	7 gpm (26.5 lpm)
Overall Length	18-7/8" (480 mm)

Decibels less than 85 at all normal operating conditions

NOTE:

6:1 pumps for stub or wall mount only. Not for use with bung bushings. Use the suction kit and wall mount bracket that are packaged with the pump assembly model.

Medium-Pressure, Stationary Oil Stub Pumps

3:1–5:1 • Motor Oil, ATF, Gear Lube and Other Fluid Lubricants

Now you can build your 3:1 ratio or 5:1 ratio oil pump with a stub pump plus suction kit or you can order complete models. You make the choice.



282398

Series 25 Pumps

This 2" diameter, 25 cubic inch displacement stub pump family is based on our 3:1 ratio 282396 bare stub pump.

Model 282398

3:1 pressure ratio stub pump assembly comes complete with 282396 bare stub pump, 84935 pump cover kit, 73024 oil connecting hose, 72024 air connecting hose, 241584 90° volume union elbow, 815 air coupler, 11659 air nipple and 84538 bung bushing. Delivers a uniform six gallons of product per minute free delivery. Ideal for dispensing fluids from drums, tanks or remote standpipe mount.



84538



84934

Series 40 Pumps

This industry proven 2-1/2" diameter, 40 cubic inch displacement stub pump family is based on the Lincoln 5:1 ratio 84933 bare stub pump.

Model 84934

5:1 pressure ratio stub pump assembly comes complete with 84933 bare stub pump, 85935 pump cover kit, 73024 oil connecting hose, 72024 air connecting hose, 241584 90° volume union elbow, 815 air coupler, 11659 air nipple and 84538 bung bushing. Delivers a uniform six gallons of product per minute free delivery.

Versatile Stub Pump Mounting Options



Standpipe and wall mount assembly to remote bulk tanks

3:1 (282398) or 5:1 (84934) pump, wall mount kit (84940), low level cut-off (84946) or foot valve (85765).



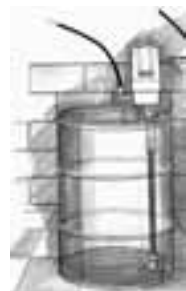
Wall mount to any size drum

3:1 (282398) or 5:1 (84934) pump, wall mount kit (84940), suction kit (84945) and low level cut-off (84946) or foot valve (85765).



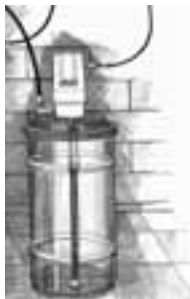
Above ground tank

(275-gallon tank shown) 3:1 (282398) or 5:1 (84934) pump and universal suction kit (85949).



55-gallon drum mount using bung bushing

3:1 (282398) or 5:1 (84934) pump and 55-gallon drum suction (85755).



16-gallon drum mount using drum cover

3:1 (282398) or 5:1 (84934) pump, drum cover (46007) and 16-gallon drum suction kit (85716).



55-gallon drum mount on lube truck using drum cover

3:1 (282398) or 5:1 (84934) pump, eyebolt kit (84941), drum cover/tie-down kit (83115) and 55-gallon drum suction kit (85755).

Medium-Pressure, Stationary Oil Pumps

3:1–5:1 • Motor Oil, ATF, Gear Lube and Other Fluid Lubricants

Shop/Garage/Lube Truck* Applications —16-Gallon Drums



Model 2437

Complete with pump, 73060 lubricant connecting hose, 241584 volume elbow, 72060 air connecting hose, 815 air coupler, 11659 air nipple.

Model 83447

Pump elevator assembly lifts pump assembly clear of drum for easy, one person drum changes. Helps prevent introduction of foreign material into grease during drum changes. Height with drum is 39-3/8", 67-1/4" with elevator raised. Drum not included.

55-Gallon Drums

Model 2424

Comes complete with 282133 pump, 84538 2" NPT(m) bung bushing, to fit original 55-gallon bung opening drums, 241584 volume union elbow, 815 air coupler, 11659 air nipple, 73060 lubricant connecting hose and 72060 air hose.

250-/275-Gallon Tanks

Model 284168

Comes complete with 282396 pump and 85949 universal suction tube kit, 84538 bung bushing, air and lubricant connecting hose. Pumps oil, gear lube, ATF, etc. from tanks, drums.

*For lube truck applications, contact your Lincoln distributor.

All models based on the 282396 series 25 3:1 bare oil pump which delivers 6 gpm free flow plus a suction tube.

Series 25 Oil Pumps

Model	Description	Bare Pump No.	Free Delivery	Ratio	Drum Size	Air Inlet	Material Outlet	Use/ Location
282133	Bare drum pump	282396	6 gallons	3:1	55-gallon	1/4" NPT	1/2" NPT	replacement
282396	Bare stub pump	282396	6 gallons	3:1	stub/universal	1/4" NPT	1/2" NPT	universal
2424	Stationary	282133	6 gallons	3:1	55-gallon	1/4" NPT	1/2" NPT	shop
2437	Stationary w/ suction kit 85716	282396	6 gallons	3:1	16-gallon	1/4" NPT	1/2" NPT	shop
282398	Stub pump assemb.	282396	6 gallons	3:1	stub/universal	1/4" NPT	1/2" NPT	universal
284168	Stationary tank	282396	6 gallons	3:1	250-/275-gallon	1/4" NPT	1/2" NPT	shop

All models based on the 84933 Series 40 5:1 bare oil pump which delivers 6 gpm free flow plus a suction tube.

Series 40 Oil Pumps

Model	Description	Bare Pump No.	Free Delivery	Ratio	Drum Size	Air Inlet	Material Outlet	Use/ Location
84933	bare stub pump	84933	6 gallons	5:1	stub/universal	1/4" NPT	1/2" NPT	universal
285133	bare pump w/ tube	84933	6 gallons	5:1	55-gallon	1/4" NPT	1/2" NPT	replacement
2524	stationary 55 gal.	84933	6 gallons	5:1	55-gallon	1/4" NPT	1/2" NPT	shop
2537	stationary 16 gal. w/ suction kit 85716	84933	6 gallons	5:1	16-gallon	1/4" NPT	1/2" NPT	shop
84934	stub pump assembly	84933	6 gallons	5:1	stub/universal	1/4" NPT	1/2" NPT	universal
285168	stationary tank	84933	6 gallons	5:1	250- or 275-gal.	1/4" NPT	1/2" NPT	shop

Medium-Pressure Pump Accessories

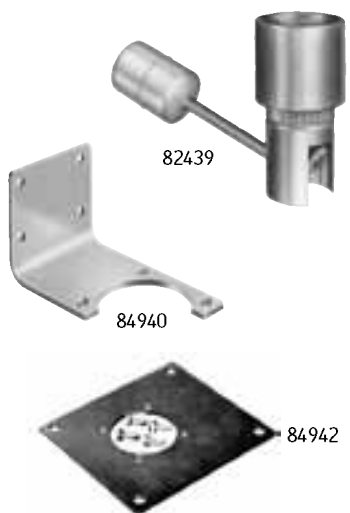
Series 25 & 40

Bung Bushing / Low Level Cut-Off / Foot Valves



Model	Description	Threaded Connection	Notes
84538	Pump bung bushing	2" (m)	Mounts series 25 or 40 pump to 2" oil drum opening
85824	Bung bushing	2" NPTF (m)	Mounts PMV pumps to 55 gal. drum or custom-built tanks
82439	Low-level cutoff	1-1/2" NPT(m)	Used with "new oil" oil pumps
84946	Low-level cutoff	1" NPT(m)	Used with "new oil" oil pumps
85765	Foot valve	1" NPT(f)	Used with "new oil" oil pumps

Wall Mount Kit



Model	Description	Notes
84940	Wall-mount kit-Series 25 & 40	Used with 84945 Suction Kit
84942	Flange-mount kit-Series 25 & 40	Mounts pump to custom made tanks (lube trucks)

Suction Kits

Model	Description	Threaded Connection	Notes
84945	Remote suction kit	1" NPT(f)	Includes 5' oil hose, bung bushing and 1" x 32" pipe
85716	16-gal. drum suction kit	1" NPT(m)	Adapts any series 25 or 40 oil pump to 16-gallon drum
85755	55-gal. drum suction kit (steel)	1" NPT(m)	Adapts any series 25 or 40 oil pump to 55-gallon drum
85949	Universal suction kit	1" NPT(m)	Adapts any series 25 or 40 oil pump to drum or tank use

Pump Covers



Model	Description	Notes
84935	Pump cover	Series 20 pumps
85935	Pump cover	Series 25 & 40 pumps

Hose

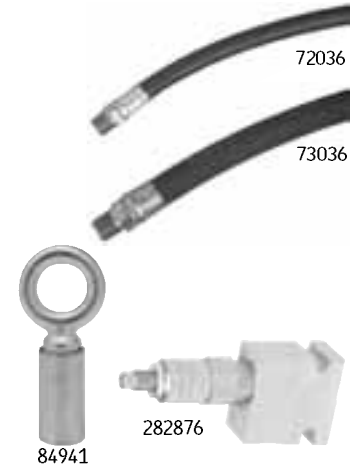


Model	Description	Threaded Connection	Notes
72036	3' low-pressure connecting	1/4" NPT(m)	Max working pressure: 250 psi
72060	5' low-pressure connecting	1/4" NPT(m)	Max working pressure: 250 psi
73036	3' medium-pressure connecting	1/2" NPT(m)	Max working pressure: 1000 psi
73060	5' medium-pressure connecting	1/2" NPT(m)	Max working pressure: 1000 psi

Eye Bolt Kit

Model 84941

Eye bolt kit for all series 20, 25 and 40 pumps, makes drum changing easy. Two part kit screws directly onto pump for lifting with pump elevator.



Thermal Pressure Relief Valve

Model 282876

Protect lube system components from high-pressure spikes caused by temperature change in a closed fluid network.

Model	Application	Pre-Set Relief Pressure	Port Size
282876	Diaphragm Pumps, 3:1, 5:1	1000 psi (68 bar)	1/2" NPT
282902		150 psi (10 bar)	
275197		500 psi (34 bar)	
282597		1500 psi (105 bar)	